

# **GATES - WINDSOR OPERATIONS TRANSPORT LABEL SPECIFICATION**



February 15, 2013

## INTRODUCTION

This standard describes the requirements of two common Gates supplier transport labels (GTL) used on unit loads. It is the responsibility of the supplier to provide labels that meet the requirements of this standard. Noncompliance with these requirements will be the suppliers responsibility.

Each Label type (not each part number) must be certified as meeting the Gates requirements for format and print quality by the certifying agency:

Aalstec Data Corp.  
3865 Malden Rd, Windsor, ON, Canada  
519-969-7790  
www.Aalstec.com

Suppliers SHALL have their labels recertified every 18 months or as requested by Gates operations.

## LABEL CONCEPTS

This standard identifies how and where data is to be placed on the following label types:

- Individual Container Label - with a single part number. (4" x 6.5", 102mm x 165mm)
- Master Label - Used on a master container or pallet holding one or more containers of a single part number. (4" x 6.5", 102mm x 165mm)

All human readable fields SHALL be all upper case and Sans Serif. (without tails) i.e. Arial, Helvetica supporting slashed zeroes.

All Block titles shall be 6pt. (0.1",1.5mm)

2D Bar codes SHALL be PDF417 (Correction level 3-5). 1D Bar Code 128 (Subset C).

Labels SHALL be printed with black characters on white background. (Colored paper nor colored ink allowed)

Labels SHALL be affixed as outlined in GATES Supplier Packaging Manual. (MAN2100)

Note: Illustrated labels are not to scale and are for reference only.

## CHANGES AND REVISIONS

Revision	History
0	Separated Barcode Label Standard from Gates Packaging Manual, added Lot Number and Engineering Level to part number.
1	Added Purchase Order Number to Master Label
AALS-001	Modified Document for ease of use. Modified Label Layouts for ease of use. Removed Small Container Label option. Combined Master and Container specifications.
AALS-002	Added Code 128 For LPN. Removed Dock Code. Removed Material Handling Code.

AUTHORIZATION	ISSUE DATE	VERSION-RELEASE	SPECIFICATION ID	Page
<b>GATES Purchasing</b>	<b>30JAN2015</b>	<b>AALS-002</b>	<b>GATES TRANSPORT LABEL SPECIFICATION</b>	<b>2 of 7</b>

# CONTAINER LABEL TEMPLATE (GATES-A)

FROM: FROM ADDRESS LINE 1XXXXX FROM ADDRESS LINE 2XXXXX FROM ADDRESS LINE 3XXXXX FROM ADDRESS LINE 4XXXXX CONTACT EMAIL/PHONEXXX MADE IN USA		TO: TO ADDRESS LINE 1XXXXXXXXX TO ADDRESS LINE 2XXXXXXXXX TO ADDRESS LINE 3XXXXXXXXX TO ADDRESS LINE 4XXXXXXXXX CUST PO# (K) <b>12345678</b>		
LICENCE PLATE # (1J): <b>123456 12345678901</b> 				
SUPPLIER LOT # (1T) <b>A2C4E6G8I0K2</b>		QUANTITY (Q) <b>12345678</b>		SHIPMENT DATE <b>30JAN2015</b> CONT TYPE (B) <b>1B3D5F7H9J1L</b> GROSS WGT (7Q-GT) <b>123456 KG</b>
P/N/P) <b>AB3D5F7H-1A3-1A3-A2C</b>				
<b>Supplier Area</b>				

\*\*\*Image boarder for demonstration purposes only. Do not frame you label.

AUTHORIZATION	ISSUE DATE	VERSION-RELEASE	SPECIFICATION ID	Page
<b>GATES Purchasing</b>	<b>30JAN2015</b>	<b>AALS-002</b>	<b>GATES TRANSPORT LABEL SPECIFICATION</b>	<b>3 of 7</b>

# CONTAINER LABEL

DATA TITLE	DI	DESCRIPTION	B/C	Field MAX w/DI	Field TYPE	Font SIZE	Example Bar code String	EDI	EDI LOC
FROM		Ship From: Max 5 Lines of Data, Company Name, Address, Contact Phone/email, Country of Origin i.e. MADE IN / ASSEMBLED IN	N	24CH 5 Lines	A/N	10		N	
TO		Ship To: Max 4 Lines of Data, Company Name (one line), Address (three lines)	N	24CH 4 Lines	A/N	10		N	
CUST PO # (K)	K	Gates Purchase Order Number	2D	9CH	N	8	<b>K</b> 12345678	Y	PO
LICENSE PLATE # (1J)	1J	License Plate used for uniquely identifying an individual transport unit not to be repeated within 365 days. Gates supplier code combined with unique supplier assigned container serial number. Human readable spaces shall not be included in bar codes.	2D/ 1D	17CH	N	17	<b>1J</b> 12345612345678901	N	
LOT # SUPPLIER (1T)	1T	Supplier Lot Number. Single containers cannot contain multiple lots.	2D	14CH	A/N	20	<b>1T</b> A2C4E6G8I0K2	N	
QUANTITY (Q)	Q	Quantity.	2D	9CH	N	20	<b>Q</b> 12345678	N	
SHIPMENT DATE		The date on which the shipment is made in DDMMYYYY format.	N	9CH	A/N	14	14FEB2013	N	
GROSS WEIGHT (7Q-GT)	7Q	Gross Weight in rounded kilograms. Uses qualifier as last two characters GT.	2D	10CH	N	14	<b>7Q</b> 123456 <b>GT</b>	N	
CONT TYP(B)	B	Gates specified container number or if not supplied use supplier reference such as 'CARTON'	2D	13CH	A/N	14	<b>B</b> 1B3D5G7I9K0L	N	
P/N(P)	P	Item Identification code assigned by customer-engineering level	2D	21CH	A/N	50	<b>P</b> AB3D5F7H-1A3-1A3-A2C	Y	PART
(Not displayed on Label) In 2D Bar Code only	15K	Kanban Number if required by Gates business process	2D	17CH	A/N		<b>15K</b> 1B3D5F7H9I1K3M	Y	If Kanban Supplier

Note: Font Size shall be as large as practical for information being printed. Data Titles are all the same size, 6pt. Font shall be sans serif (without tails, e.g. Helvetia) and support slashed zeroes. 2D Bar code shall be PDF417, shall have an 'x' dimension of 0.015", row height of 0.045"(3X), Correction level of 3-5 and have a 0.03"(2X) quiet zone around the entire perimeter. 1D Bar Code shall be Code 128, shall be Subset C or Subset Auto, shall have an 'x' dimension of 0.015". Maximum field lengths = total field characters + DI. The safety symbol (Inverted Delta) shall be used when identifying safety related parts.

Abbreviation: 2D = 2-Dimensional, 1D = 1-Dimensional, A/N = Alpha-Numeric, B/C = Bar Code, CH = Character, DEP = Dependant, DI = Data Identifier, L = Line, N = Number (Field Size Column only), N = No (All Columns except Field Type), O = Optional, SEG = Segment, SID = Shipper's Identifying Number, Y = Yes, ECC = Error correction.

# MASTER LABEL TEMPLATE (GATES-B)

FROM: FROM ADDRESS LINE 1XXXX FROM ADDRESS LINE 2XXXX FROM ADDRESS LINE 3XXXX FROM ADDRESS LINE 4XXXX CONTACT EMAIL/PHONEXXX MADE IN USA		TO: TO ADDRESS LINE 1XXXXXXXX TO ADDRESS LINE 2XXXXXXXX TO ADDRESS LINE 3XXXXXXXX TO ADDRESS LINE 4XXXXXXXX CUST PO # (K) <b>12345678</b>		
LICENCE PLATE # (6J) <b>123456 12345678901</b>				
LOT # SUPPLIER (1T) <b>A2C4E6G8I0K2</b>		TOTAL QTY (7Q-PL) <b>12345678</b>		GROSS WEIGHT (7Q-GT) <b>123456 KG</b>
				# PACKS (7Q-PK) <b>123</b>
				QTY/PACK (Q) <b>123456</b>
P/N(P) <b>AB3D5F7H-1A3-A2C-A2C</b>				
				
<b>MASTER LABEL</b>				

\*\*\*Image boarder for demonstration purposes only. Do not frame you label.

AUTHORIZATION	ISSUE DATE	VERSION-RELEASE	SPECIFICATION ID	Page
<b>GATES Purchasing</b>	<b>30JAN2015</b>	<b>AALS-002</b>	<b>GATES TRANSPORT LABEL SPECIFICATION</b>	<b>5 of 7</b>

# MASTER LABEL

DATA TITLE	DI	DESCRIPTION	B/C	Field MAX w/DI	Field TYPE	Font SIZE	Example Bar code String	EDI	EDI LOC
FROM		Ship From: Max 5 Lines of Data, Company Name, Address, Contact Phone/email, Country of Origin i.e. MADE IN / ASSEMBLED IN	N	24CH 5 Lines	A/N	10		N	
TO		Ship To: Max 4 Lines of Data, Company Name (one line), Address (three lines)	N	24CH 4 Lines	A/N	10		N	
CUST PO # (K)	K	Gates Purchase Order Number	2D	14CH	N	8	<b>K</b> 12345678	Y	PO
LICENSE PLATE # (6J)	6J	License Plate used for uniquely identifying an individual transport unit not to be repeated within 365 days. Gates supplier code combined with unique supplier assigned container serial number. Human readable spaces shall not be included in bar codes.	2D/ 1D	18CH	N	17	<b>6J</b> 12345612345678901	N	
LOT # SUPPLIER (1T)	1T	Supplier Lot Number. If master contains multiple lots leave blank.	2D	14CH	A/N	20	<b>1T</b> A2C4E6G8I0K2	N	
TOTAL QTY (7Q-PL)	7Q	Summed total of all parts within all packs. Uses qualifier as last 2 characters - PL.	2D	12CH	N	20	<b>7Q</b> 12345678 <b>PL</b>	N	
GROSS WEIGHT (7Q-GT)	7Q	Gross Weight in rounded kilograms. Uses qualifier as last two characters GT.	2D	10CH	N	14	<b>7Q</b> 123456 <b>GT</b>	N	
# PACKS (7Q-PK)	7Q	Number of individual packs within master. Uses qualifier as last two characters PK.	2D	7CH	N	14	<b>7Q</b> 123 <b>PK</b>	N	
QTY/PACK (Q)	Q	Quantity in each individual pack within the master.	2D	7CH	N	14	<b>Q</b> 123456	N	
P/N(P)	P	Item Identification code assigned by customer-engineering level	2D	21CH	A/N	50	<b>P</b> A3B3D5F7H-1A3-A2C-A2C	Y	PART
(Not displayed on Label) In 2D Bar Code only	15K	Kanban Number if required by Gates business Process	2D	17CH	A/N		<b>15K</b> 1B3D5F7H9I1K3M	Y	If Kanban Supplier

Note: Font Size shall be as large as practical for information being printed. Data Titles are all the same size, 6pt. Font shall be sans serif (without tails, e.g. Helvetia) and support slashed zeroes. 2D Bar code shall be PDF417, shall have an 'x' dimension of 0.015", row height of 0.045"(3X), Correction level of 3-5 and have a 0.03"(2X) quiet zone around the entire perimeter. 1D Bar Code shall be Code 128, shall be Subset C or Subset Auto, shall have an 'x' dimension of 0.015". Maximum field lengths = total field characters + DI. The safety symbol (Inverted Delta) shall be used when identifying safety related parts.

Abbreviation: 2D = 2-Dimensional, 1D = 1-Dimensional, A/N = Alpha-Numeric, B/C = Bar Code, CH = Character, DEP = Dependant, DI = Data Identifier, L = Line, N = Number (Field Size Column only), N = No (All Columns except Field Type), O = Optional, SEG = Segment, SID = Shipper's Identifying Number, Y = Yes, ECC = Error correction.

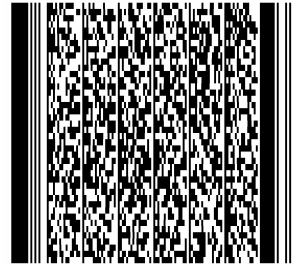
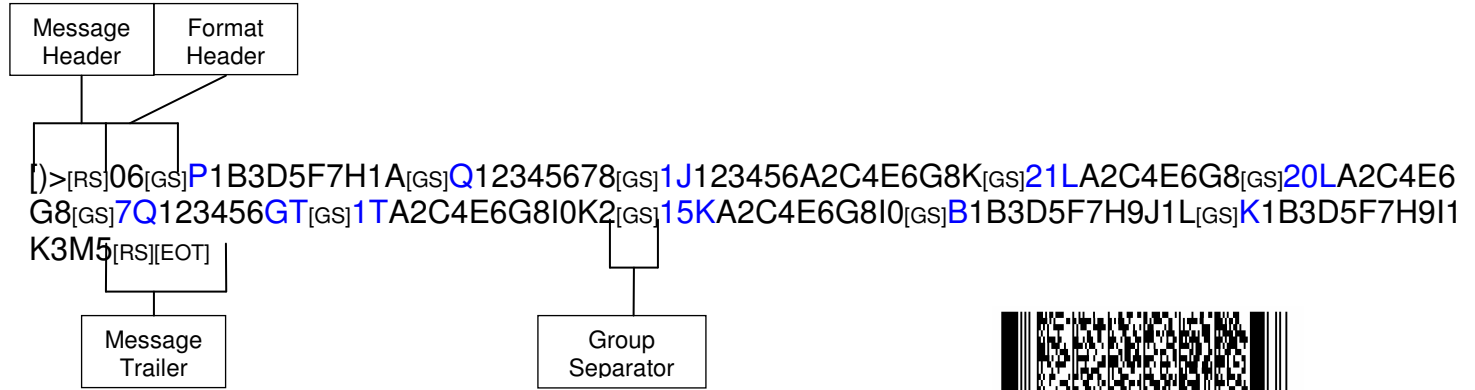
AUTHORIZATION	ISSUE DATE	VERSION-RELEASE	SPECIFICATION ID	Page
<b>GATES Purchasing</b>	<b>30JAN2015</b>	<b>AALS-002</b>	<b>GATES TRANSPORT LABEL SPECIFICATION</b>	<b>6 of 7</b>

## 2D BAR CODE DATA STRUCTURE

The sequence (order) in which data is encoded in the 2D bar code is not significant. For more details refer to AIAG B14.

Record separators [RS], Group separators [GS] and End of Transmission [EOT] are special non-printing characters. Refer to the table below for the correct hexadecimal and decimal values for the characters.

Data identifiers are marked in **Blue**.



ASCII/ISO 646 Character	Decimal	Hexadecimal
[RS]	30	1E
[GS]	29	1D
[EOT]	04	04