



**North American Labeling Requirements**  
(Canada, Mexico and United States)

**TRW PROCEDURE**

**WA.D20.001**

**REVISIONS**

Date	Release No.	Description	Revision	Engineer
Sep 2003	ERD89609	Initial Release	A00	M. Rausch
Jun 2004	ERD94762	See ERD, general description	A01	M. Rausch
Aug 2004	ERD95947	General revision. Minor changes	A02	M. Rausch

**PREPARED BY:**  
Supplier Label Team

**DISTRIBUTION:**

See ERD

**CUSTOMER APPROVAL:**

**REQUESTED BY:**

PROPRIETY NOTICE: This copyrighted document is the property of TRW and is disclosed in confidence. It may not be copied, disclosed to others, or used for manufacturing, without the prior written consent of TRW.

DATE: June 2004  
Revision: A02  
Resp.: TRW Purchasing  
Page: 2 of 27

WA.D20.001: North American  
Labeling Requirements



Automotive  
North American OSS

# TRW Automotive

## North American Labeling Requirements (Canada, Mexico and United States)

TRW Automotive  
Livonia, MI

<b>Prepared by:</b> Supplier Label Team	<b>Approved/Authorized by:</b> ERD89609	<b>Issued by:</b> TRW Purchasing
--	--	-------------------------------------



<b>1. INTRODUCTION AND APPLICABLE SPECIFICATIONS</b>	<b>6</b>
<b>2. PURPOSE</b>	<b>7</b>
<b>3. TYPES OF LABELS AND REQUIRED DATA FIELDS</b>	<b>8</b>
3.1 Label Types	8
3.2 Single Pack Carton Label (Ref Exhibit A)	8
3.3 Master Load Pallet Label (Ref Exhibit B)	8
3.4 Mixed Load Pallet Label (Ref Exhibit C)	8
3.5 Internal Container Label (Sub pack Label) (Ref Exhibit E)	8
3.6 Primary Metal Suppliers	8
3.7 Label application and usage table	8
3.8 Bar Code Label Required Data Fields	9
<b>4. GENERAL LABEL INFORMATION - FORMAT, SIZE AND MATERIAL</b>	<b>11</b>
4.1 Format	11
4.2 Building Blocks	11
4.3 Sub Block	11
4.4 Label Size	12
4.5 Material and Print Quality	12
4.6 General Comments	12
<b>5. BAR CODE TEXT AND HUMAN READABLE CHARACTERS</b>	<b>13</b>
5.1 Data Titles, Data Identifier Text and Human Readable Interpretation of Code 128	13
<b>DATA ELEMENT</b>	<b>13</b>
<b>6. BAR CODE REQUIREMENTS</b>	<b>14</b>
6.1 Bar Code Block Format	14
6.2 Symbology	14
6.3 Narrow Element X Dimension	14
6.4 Bar Code Height	14
6.5 Bar Code Symbol Placement	15
6.6 Quiet Zones	15
6.7 Data Identifiers	15

<b>Prepared by:</b>	<b>Approved/Authorized by:</b>	<b>Issued by:</b>
Supplier Label Team	ERD89609	TRW Purchasing

PROPRIETY NOTICE: This copyrighted document is the property of TRW and is disclosed in confidence. It may not be copied, disclosed to others, or used for manufacturing, without the prior written consent of TRW.

DATE: June 2004  
Revision: A02  
Resp.: TRW Purchasing  
Page: 4 of 27

WA.D20.001: North American  
Labeling Requirements



Automotive  
North American OSS

6.7.1 Use of Data Identifiers .....	15
6.7.2 Data Identifier Listing .....	16
The data identifiers listed below SHALL be used on TRW Automotive labels when these specific data fields are being used.	16
<b>7. LABEL LOCATION AND PROTECTION</b>	<b>17</b>
7.1 Label Location	17
7.2 Label Protection	17
7.3 Returnable Containers	17
<b>8. BAR CODED PACKING SLIP – OPTIONAL</b>	<b>18</b>
8.1 Packing Slip/Delivery Note Number	18
8.2 Packing Slip Bar Code Guidelines	18
<b>9. SUBPACK/INTERNAL CONTAINER LABELING</b>	<b>20</b>
9.1 Data Area Characteristics-Internal Container Label (sub-pack)	20
9.2 Sub pack Bar Code Symbology	21
9.3 Bar Code and Human Readable Requirements	21

<b>Prepared by:</b> Supplier Label Team	<b>Approved/Authorized by:</b> ERD89609	<b>Issued by:</b> TRW Purchasing
--	--	-------------------------------------

PROPRIETY NOTICE: This copyrighted document is the property of TRW and is disclosed in confidence. It may not be copied, disclosed to others, or used for manufacturing, without the prior written consent of TRW.

DATE: June 2004  
Revision: A02  
Resp.: TRW Purchasing  
Page: 5 of 27

WA.D20.001: North American  
Labeling Requirements



Automotive  
North American OSS

*Figure 1 - Label Application and Usage..... 9*  
*Figure 2 -Description of Data Elements and Required Data Fields..... 10*  
*Figure 3 - Building Block Format - Carton Label..... 11*  
*Figure 4 - Text Size and Dimensions..... 13*  
*Figure 5 - Bar Code Building Block..... 14*  
*Figure 6 - Quiet Zones..... 15*  
*Figure 7 - Data Identifier Listing..... 16*  
*Figure 8 - Bar Coded Packing Slip..... 19*  
*Figure 9 – Electronic Components packaged on reel with multiple reels  
packaged in one container..... 20*  
*Figure 10 - Internal Container Label..... 21*

**Exhibit A – Single Carton Label** **Page 22**  
**Exhibit B – Master Load Label** **Page 23**  
**Exhibit C – Mixed Load Label** **Page 24**  
**Exhibit D – Internal Container Label** **Page 25**  
**Exhibit E – Primary Metals (steel)** **Page 26**  
**Exhibit F – Label Placement** **Page 27**

<b>Prepared by:</b> Supplier Label Team	<b>Approved/Authorized by:</b> ERD89609	<b>Issued by:</b> TRW Purchasing
--	--	-------------------------------------

PROPRIETY NOTICE: This copyrighted document is the property of TRW and is disclosed in confidence. It may not be copied, disclosed to others, or used for manufacturing, without the prior written consent of TRW.

DATE: June 2004  
Revision: A02  
Resp.: TRW Purchasing  
Page: 6 of 27

WA.D20.001: North American  
Labeling Requirements



Automotive  
North American OSS

## **1. Introduction and Applicable Specifications**

The information described in this document contains specifications for bar code labels used on material to be received at TRW facilities from suppliers and inter-company sources. This document was developed in conjunction with, and is an extraction of the following standards, developed by the Automotive Industry Action Group (AIAG) and the American National Standards Institute (ANSI).

### Applicable Specifications:

Shipping/Parts Identification Label Standard, AIAG B-3 Version 3.00 Released 7/93

Trading Partner Labels, AIAG B-10 Version 2.00 Released 2/00

Parts Identification and Tracking Standard, AIAG B-4 Version 2.00 Released 2/98

Data Application Identifier Standard ANSI MH10.8.2

Bar Code Print Guideline ANSI X3.182

For further information and publications on AIAG standards contact: Automotive Industry Action Group, 26200 Lahser Road, Suite 200, Southfield, Michigan 48034, Phone (248) 358-3570.

<b>Prepared by:</b> Supplier Label Team	<b>Approved/Authorized by:</b> ERD89609	<b>Issued by:</b> TRW Purchasing
--	--	-------------------------------------



## 2. Purpose

This labeling specification provides guidelines for the printing and placement of Shipping/Parts Identification Labels. These labels are designed to improve TRW Automotive and trading partner productivity by allowing effective and efficient capture of data for production counts, warehouse input/output, cycle counting, shipper generation, forwarding, freight transfer control, receiving, Electronic Data Interchange (EDI) with Advance Shipment Notice (ASN) and other inventory controls. Adherence to these specifications for labels will reduce labor costs, improve data accuracy, and increase overall systems value.

The TRW Automotive buyer **SHALL** be responsible to notify and enforce these requirements on the suppliers. Deviations from this standard may be used subject to approval by the Materials Manager at the receiving facility **AND** the TRW Automotive buyer. Deviations must be formally submitted to the TRW buyer or receiving facility Materials Manager and approved in writing.

This labeling specification applies to all products being shipped to **ANY** TRW Automotive location in North America, regardless of the supplier's location. Failure to comply with any of these requirements could result in the lowering of the Supplier Quality Rating and/or generate charge backs to supplier for additional handling fees that result from non-conformance to this specification.

All parts shipped after October 4th, 2004 must be shipped in accordance with this standard.

Any questions or concerns regarding this specification should be directed to your TRW purchasing representative.

In this document the word **SHALL** indicates a requirement and the word **SHOULD** indicates a recommendation.

<b>Prepared by:</b> Supplier Label Team	<b>Approved/Authorized by:</b> ERD89609	<b>Issued by:</b> TRW Purchasing
--	--	-------------------------------------



### **3. TYPES OF LABELS AND REQUIRED DATA FIELDS**

#### **3.1 Label Types**

Four types of labels are defined and required by TRW Automotive, depending on how material is packaged for shipment as described below. (*Exhibits are for reference only; the Supplier **SHOULD** utilize these formats. Actual labels may be different depending up printing capability of the Supplier and Data being supplied.*)

#### **3.2 Single Pack Carton Label (Ref Exhibit A)**

**SHALL** be used to identify a single pack or carton containing the same part number. It is the most commonly used shipping/parts identification label.

#### **3.3 Master Load Pallet Label (Ref Exhibit B)**

The Master Label **SHALL** be used for containers, pallets, skids, etc. holding more than one single pack of the same part number. The Master Label is used to summarize the total quantity of a single part number or lot number on a shipping pallet. More than one Master Label may be required. If more than one part number or lot number is included on a given pallet, a Master Label for each lot number and part number, on the pallet, **SHALL** be used.

#### **3.4 Mixed Load Pallet Label (Ref Exhibit C)**

**SHALL** be used for containers, pallets, skids, etc., holding more than one single pack of different part numbers.

#### **3.5 Internal Container Label (Sub pack Label) (Ref Exhibit E)**

**SHALL** be used for internal containers when multiple containers or sub packs of the same part number are shipped inside a single pack carton container. This label is used in addition to labels for single or multiple containers.

#### **3.6 Primary Metal Suppliers**

Primary Metals suppliers are exempt from this specification but shall comply with industry standard AIAG B10 Feb 2000. Follow the primary metals example as shown in Exhibit E of this document. Also Suppliers should incorporate a 'To' and 'From' address into their label and should utilize code 128 with an 'x' dimension of 0.015".

#### **3.7 Label application and usage table**

The following table (*Figure 1*) will help you determine which type(s) of label(s) to use depending upon how the material is packaged and shipped.

<b>Prepared by:</b> Supplier Label Team	<b>Approved/Authorized by:</b> ERD89609	<b>Issued by:</b> TRW Purchasing
--	--	-------------------------------------





**Figure 1 - Label Application and Usage**

Packaging Method	Single pack carton Label	Master Load pallet Label	Mixed Load pallet Label	Internal Container Label
Single Container Same Part Number	X	X		
Single Container, Multiple Lot / PO	X	X (For each LOT or PO)		
Multiple Containers same Part Number /single pallet.	X	X		
Multiple Containers different Part Number /single pallet	X	X (For Each Part Number)	X	
Internal pack (sub-pack)	X			X

**3.8 Bar Code Label Required Data Fields**

Depending upon the bar code label type required the following table (Figure 2) defines the minimum required Bar Code and Human readable data fields for each label application.

<b>Prepared by:</b> Supplier Label Team	<b>Approved/Authorized by:</b> ERD89609	<b>Issued by:</b> TRW Purchasing
--	--	-------------------------------------

## Figure 2 -Description of Data Elements and Required Data Fields

Description of each Data Element format and the Parts Identification Label in which it is used	Bar Code Symbol	Human readable bar code interpretation	Data Identifier (DI)	Data titles and data identifier (DI) text	Human Readable text only	Maximum data length Excluding Data Identifier		Single Pack Carton Label	Master Load Pallet Label	Mixed Load Pallet Label	Internal Container Label (subpack)	Packing Slip /Delivery Note
Data Field	Description	Data Element Format						Data Field Label Usage Application				
TRW Part Number	Part Number as assigned on the TRW Purchase Order	X	X	P	X	18		X	X		X	
Quantity	Total Quantity of the same Part Number within the same container or master carton	X	X	Q	X	6		X	X		X	
Supplier Number	The Supplier code as assigned	X	X	V	X	7		X	X			
Serial Number - Single Pack	Unique container serial number assigned by the Supplier for a single container or pack of the same part number	X	X	S	X	10		X				
Serial Number - Master Pack	Unique pallet or master container serial number assigned by the supplier for more than one single container of different part numbers	X	X	4S	X	10			X		X	
Supplier Lot Number	Supplier manufacturing lot code assigned by the supplier for a container or containers	X	X	1T	X	10		X	X		X	
TRW Purchase Order Number	Purchase Order number as assigned by TRW for a given part number(s)	X	X	K	X	10		X	X			
Revision Level	Alpha Character representing the Eng. Revision level corresponding to the material within a single container	X	X	2P	X	3		X	X		X	
Packing Slip	Shipment Reference number assigned by the supplier	X	X	11K	X	10			X			X
Date	Date indicating the date of manufacturing, date of packing, or date of shipment					N/A	X	X				
Ship To	Shipping address of the destination plant					N/A	X	X	X			
Ship From	Company name, address, and phone number of the Supplier					N/A	X	X	X			
Part Description	Part description as stated on the TRW Purchase order					N/A	X					
Certification Status	Supplier certification status as determined by TRW Purchasing					N/A	X					
Supplier Part Number	Part Number as assigned by the supplier	X	X	1P	X						X	

## 4. GENERAL LABEL INFORMATION - Format, Size and Material

### 4.1 Format

Label format is an open architecture structure utilizing modular “building block(s)” as described in the AIAG B-10 specification. Each data area **SHALL** have the Data Title and utilize Data Identifiers as shown in the label exhibits. Recommended label formats and placement are described in exhibits A to E. Refer to AIAG B-10 specification; Version 2.00 released 2/00 for additional label formatting and data specifications not described in this specification. All labeling must conform to the aforementioned AIAG and ANSI specifications identified previously in this specification.

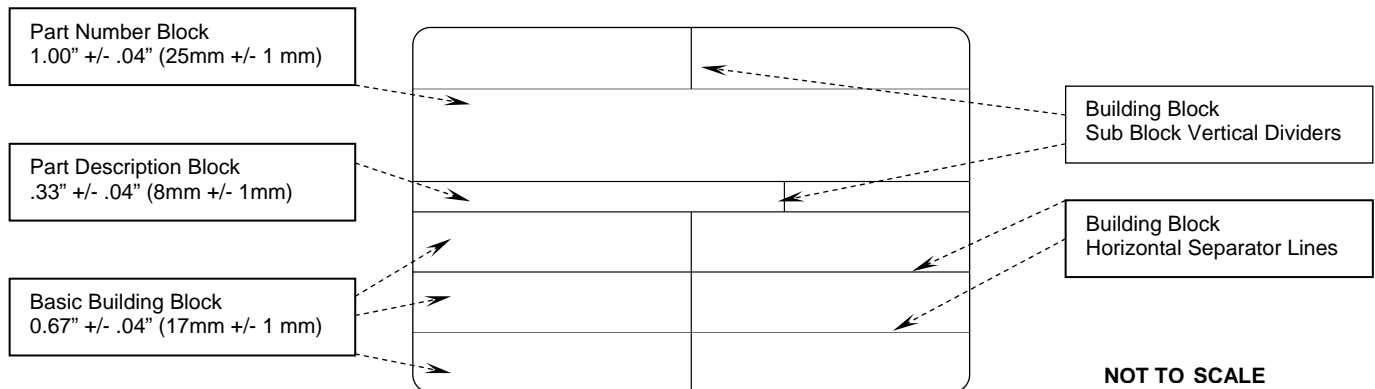
### 4.2 Building Blocks

Building blocks (*Figure 3*) are a horizontal basic unit structure used to simplify label formatting. The building block format is based on a 0.67” +/- 0.04” (17mm +/- 1mm) height horizontal block, which may contain text, graphics or single bar code field containing human readable interpretation. Building blocks **SHOULD** be stacked vertically. A horizontal line extending the entire length of the label **SHALL** separate vertically stacked building blocks.

### 4.3 Sub Block

A Sub Block is a method of dividing a Building Block into segments to allow additional data fields to be utilized within a horizontal Building Block. Sub Blocks are equivalent to the full Building Block height and **SHALL** be divided by vertical lines. The label **SHALL NOT** contain more than four (4) Sub Blocks within a Building Block. Sub Blocks can be any width. The Width **SHALL** be determined by the data being illustrated within the Sub Block.

**Figure 3 - Building Block Format - Carton Label**



Building block height shall be 0.67-inch +/- 0.04 inch (17mm +/- 1mm), unless otherwise noted, and **SHALL** be separated by a horizontal line. A vertical line **SHALL** divide building block or Sub-block segments

<b>Prepared by:</b> Supplier Label Team	<b>Approved/Authorized by:</b> ERD89609	<b>Issued by:</b> TRW Purchasing
--	--	-------------------------------------



#### 4.4 Label Size

The size of the label is determined by the amount of data required and is the responsibility of the Supplier to choose the proper label size to accommodate the information relative to the data requirements in this specification. The number of building blocks required to illustrate the information on the label **SHALL** determine the label height. The Supplier **SHALL** determine the label width. Minimum label size shall be 4" X 6" (100mm X150mm) and A6 for European suppliers.

#### 4.5 Material and Print Quality

The label paper **SHALL** be white in color with black printing. The printing media **SHALL** be of proper carbon content to insure passing ANSI X3.182 Bar Code Print Quality guideline. The minimum symbol grade **SHALL** be:

- Minimum print quality grade = 1.5 (C)
- Measure aperture = 0.10 " (0.254mm)
- Inspection wavelength =660 nanometers +/- 10 nanometers

Adhesive types can be pressure sensitive or dry gummed as long as adherence to the package substrate is assured and application is wrinkle-free.

#### 4.6 General Comments

Label font should clearly distinguish between the number zero and the letter "O" or "D". When printing a zero on the label incorporate a slash "/" thru the zero. i.e. Ø North America includes the countries of Canada, Mexico and the United States.

Prepared by: Supplier Label Team	Approved/Authorized by: ERD89609	Issued by: TRW Purchasing
-------------------------------------	-------------------------------------	------------------------------



## 5. BAR CODE TEXT and HUMAN READABLE CHARACTERS

### 5.1 Data Titles, Data Identifier Text and Human Readable Interpretation of Code 128

All Human Readable text must comply with the latest AIAG B-10 specification.

The Characters **SHALL** be clearly legible. A Sans Serif font such as Arial is recommended.

All human readable data **SHALL** be printed in upper case characters. Human readable interpretation of the Bar Code symbol **SHALL NOT** include start/stop characters or human readable Data Identifier(s).

The following table (*Figure 4*) lists the recommended character text sizes for all labels except the Internal Container Label (sub-pack). Refer to section 9 Sub Pack/Internal Container Labeling for Sub Pack/Internal Container specifications.

**Figure 4 - Text Size and Dimensions**

<u>Data Element</u>	Text Size	Notations
Data Titles	6 Point	Two lines maximum, Left Justified
Human Readable Data Identifiers	6 Point	In parenthesis, included in Data Title, or Left Justified directly above the Bar Code
Bar Code Human Readable interpretation	20 Point unless otherwise noted	Positioned directly above the Bar Code
Part Number Human Readable interpretation	36 Point	
Ship to:	12 Point	
Ship From	12 Point	
Manufacturing Date Code	20 Point	
Part Description	20 Point	
Supplier Certification Status	36 Point	
The Words Master Label	36 Point	
The Words Mixed Load	108 Point	
Revision Level	20 point	
Packing Slip	20 point	

<b>Prepared by:</b> Supplier Label Team	<b>Approved/Authorized by:</b> ERD89609	<b>Issued by:</b> TRW Purchasing
--	--	-------------------------------------

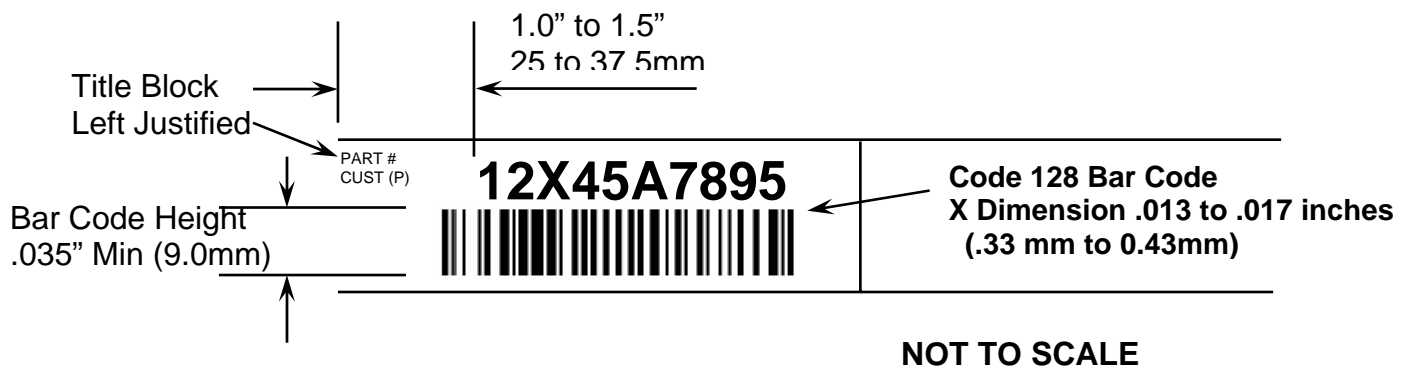
## 6. BAR CODE REQUIREMENTS

### 6.1 Bar Code Block Format

Figure 5 outlines Bar Code Block layout. Except as noted under Sub Pack/Internal Container Labeling, Bar Code Building block height is 0.67" +/- 0.04" (17mm +/-1mm)

A sub block **SHALL NOT** contain more than one bar code symbol. Figure 5 illustrates use of a building block, Bar Code height, Title Block, Human Readable text alignment, Code 128 Bar Code and X Dimension.

**Figure 5 - Bar Code Building Block**



### 6.2 Symbology

Unless otherwise specified (in the Sub-Pack specification) all Bar Codes **SHALL** be AIM Uniform Code 128 symbology.

A leading space character **SHALL NOT** be used.

The four characters %, /, \$, + **SHALL NOT** be used.

### 6.3 Narrow Element X Dimension

ALL Bar Codes **SHALL** use a narrow element X dimension of 0.013 inch to 0.017 inch (.33mm to 0.43mm). Recommended X Dimension is 0.015 (.38 MM). (Except Sub/Pack Internal Container Label – refer to exhibit D).

### 6.4 Bar Code Height

Each Bar Code symbol **SHALL** be a minimum height of .35 inch (13 mm) except as defined under Sub pack/Internal Container Labeling when using code 128 Symbology.

Prepared by: Supplier Label Team	Approved/Authorized by: ERD89609	Issued by: TRW Purchasing
-------------------------------------	-------------------------------------	------------------------------

### 6.5 Bar Code Symbol Placement

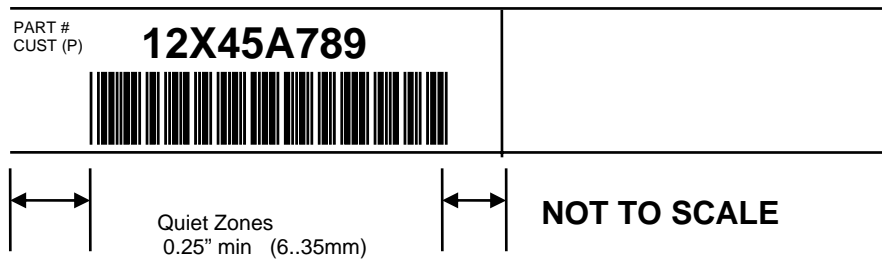
**SHALL** be as illustrated in the exhibits relative to the type of label being used.

Using additional bar code symbols on shipping packages is not encouraged but may be appropriate in certain circumstances. Any additional code 128 symbols placed on the label or elsewhere on the container **SHALL** use data identifiers as defined in the American National Standards Institute (ANSI) Data Identifier Standard ANSI MH10.8.2

### 6.6 Quiet Zones

The Bar Code symbol **SHALL** have leading and trailing quiet zones with minimum widths of .25" (6.3mm) (figure 6).

Figure 6 - Quiet Zones



### 6.7 Data Identifiers

#### 6.7.1 Use of Data Identifiers

A data identifier (sometimes referred to as a DI, or a prefix) is one or more characters that define a general category type or specific use of bar coded data. Data Identifiers are used as described in the ANSI MH10.8.2 specification. All Code128 symbols **SHALL** contain Data Identifiers and **SHALL** conform to the ANSI MH10.8.2 Data Identifier standard. Data Identifiers are not considered part of the data they precede.

The data identifier(s) (figure 7) **SHALL** immediately follow the start character in the bar code symbol and will identify the type of information used in that symbol. **Care must be taken that the bar code data has the proper data identifier.**

Prepared by: Supplier Label Team	Approved/Authorized by: ERD89609	Issued by: TRW Purchasing
-------------------------------------	-------------------------------------	------------------------------



TRW requires data identifier use as specified in ANSI MH10.8.2 and ISO standards.

### 6.7.2 Data Identifier Listing

The data identifiers listed below SHALL be used on TRW Automotive labels when these specific data fields are being used.

### Figure 7 - Data Identifier Listing

Data Identifier	Data Area
P	Part Number
Q	Quantity
V	Supplier Number – Assigned by TRW
S	Serial Number – Single Pack Label
4S	Serial Number – Master Label
K	Purchase Order Number
11K	Packing Slip
1T	Supplier Lot Number
1P	Supplier Part Number – For use with Internal Carton or Sub Packs
2P	Revision Level
2D	Date
1Q	Theoretical Weight
2Q	Actual Weight

**Note:** That the serial number data identifiers for the Single Pack and Master Pack labels are different from one another.

<b>Prepared by:</b> Supplier Label Team	<b>Approved/Authorized by:</b> ERD89609	<b>Issued by:</b> TRW Purchasing
--	--	-------------------------------------





## **7. LABEL LOCATION AND PROTECTION**

### **7.1 Label Location**

Refer to the TRW Purchase Order or Material Release for any special application instructions of labels. Two labels **SHALL** be used for each Single Pack carton, Master or Mixed load container. The labels **SHALL** be on adjacent corners of the container. It is the Supplier's responsibility to adequately design packaging that provides sufficient container surface to insure label adherence and complete readability.

#### **Master Carton and Mixed load labels**

The label shall be placed on the upper half of the unit load.

The bottom of the label(s) should not exceed 60" (152 cm) from the bottom of the unit load. The label should be placed at opposite ends of the carton label. See exhibit F.

#### **Returnable Containers**

In cases where returnable containers are used and the container has label holders on opposite sides the labels may be placed in these holders.

Labels **SHOULD** be located no closer than 1.25 inches (32 mm) from the edge of the container and 1.25 inches (32 mm) from the top of the container. See exhibit E.

### **7.2 Label Protection**

Label protection **SHALL** be the responsibility of the Supplier to insure readability upon receipt at TRW. Label protection against moisture, weathering, abrasion, etc., is encouraged wherever practical. Laminates, window envelopes, and clear plastic pouches are examples of possible protection methods.

In choosing any protection method, care **SHALL** be taken to assure the protected labels meet reflectivity and contrast requirements and can be scanned with contact and non-contact devices.

### **7.3 Returnable Containers**

Returnable containers are reusable containers such as tubs or racks that are mutually designated by TRW Automotive and the supplier to move materials back and forth between the two trading partners.

All shipping/parts identification labels on returnable containers **SHALL** be removed before reuse in order to control movement, maintain cleanliness and assure properly identified contents.

<b>Prepared by:</b> Supplier Label Team	<b>Approved/Authorized by:</b> ERD89609	<b>Issued by:</b> TRW Purchasing
--	--	-------------------------------------



## 8. BAR CODED PACKING SLIP – Optional

Note: A bar coded packing slip may be required by the TRW Automotive location being shipped to. Requests will be made directly to suppliers by those TRW facilities wishing to receive a bar coded packing slip.

### 8.1 Packing Slip/Delivery Note Number

Each shipment **SHALL** have unique supplier shipping reference number called out on the packing slip, manifest or delivery note number. The supplier **SHALL** assign this number. This number links the material(s) being delivered to receiving reference data for shipment trace ability and account reconciliation purposes.

### 8.2 Packing Slip Bar Code Guidelines

The Supplier **SHALL** send with each shipment a packing slip, manifest or delivery note that **SHALL** have the packing slip, manifest or delivery note number bar coded to be used in expediting the delivery receipt process (*figure 8*).

The bar code information under this section **SHALL** follow the bar coding guidelines as specified previously in the document.

The human readable interpretation of the bar code **SHALL** be a 20 point size.. The minimum height of the bar code symbol **SHALL** be 0.5 inch (13mm). The human readable data identifier (11K) and Bar Code title block **SHALL** be present.

The maximum length of the packing slip number **SHALL NOT** exceed (16) alphanumeric characters plus the data identifier.

The supplier **SHOULD** make every effort to add the following information in Bar Code including Data Identifiers and human readable format using the specifications in this document.

- Purchase Order Number (**Option to list the P.O. number on the Bar Code Carton Label or Bar Coded Packing Slip**)
- TRW Part Number
- Total Packing Slip Quantity

Prepared by: Supplier Label Team	Approved/Authorized by: ERD89609	Issued by: TRW Purchasing
-------------------------------------	-------------------------------------	------------------------------



### Figure 8 - Bar Coded Packing Slip



NOT TO SCALE

Prepared by: Supplier Label Team	Approved/Authorized by: ERD89609	Issued by: TRW Purchasing
-------------------------------------	-------------------------------------	------------------------------



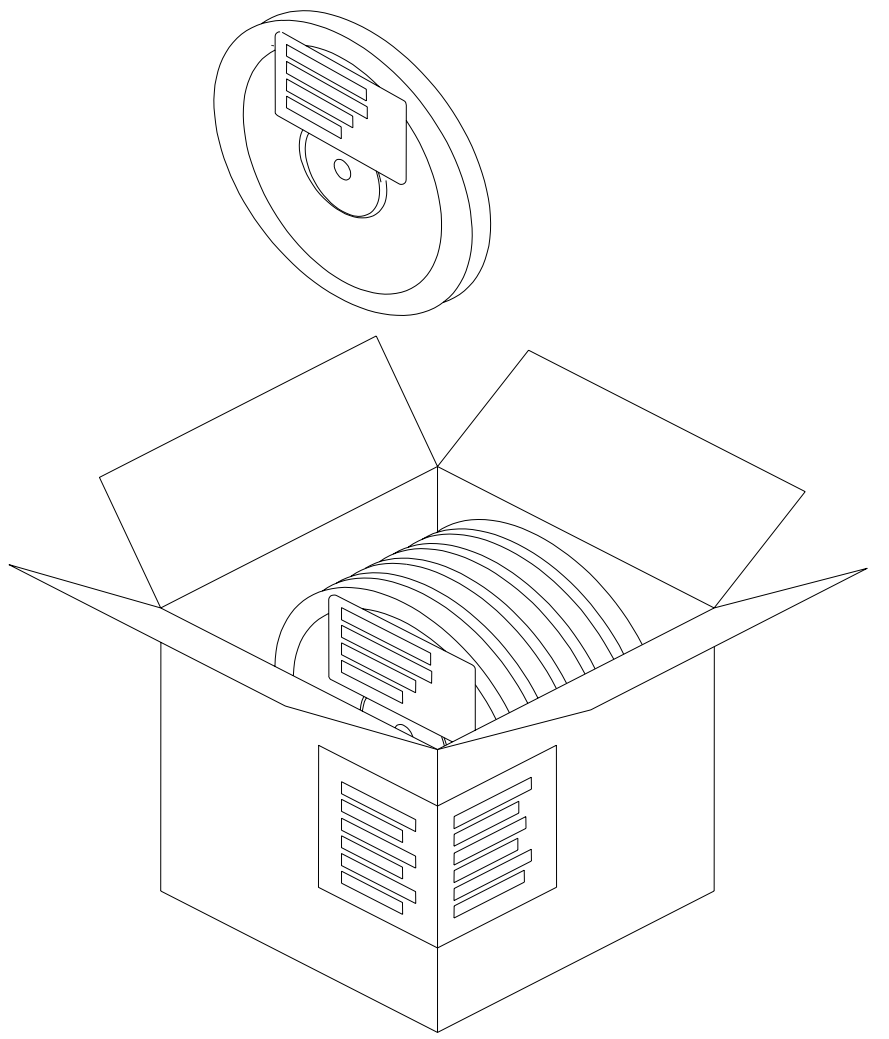
## 9. SUBPACK/INTERNAL CONTAINER LABELING

### 9.1 Data Area Characteristics-Internal Container Label (sub-pack)

The specifications in this section apply to the Internal Container Labeling.

This label application applies when material is packaged in smaller packages (sub packs), within a single pack carton that is intended to be used/consumed within the manufacturing process in the Internal Container (sub pack) in which it is packaged. (Figure 9)

**Figure 9 – Electronic Components packaged on reel with multiple reels packaged in one container.**



Prepared by: Supplier Label Team	Approved/Authorized by: ERD89609	Issued by: TRW Purchasing
-------------------------------------	-------------------------------------	------------------------------



**9.2 Sub pack Bar Code Symbology**

The supplier **SHALL** use code 128 symbology and follow the specifications outlined previously in this document. UCC/EAN Retail Application sub set **SHALL NOT** be used. In either case the data identifiers and human readable interpretation of the bar code **SHALL** follow this specification.

**9.3 Bar Code and Human Readable Requirements**

The supplier **SHALL** provide the following information in bar code and human readable format (*figure 10*) including Data Identifiers (*figure 7*).

- TRW Part Number
- Sub-Pack Quantity
- Supplier Lot Identification Number
- Revision

The Supplier **SHOULD** provide in human readable format the following data fields.

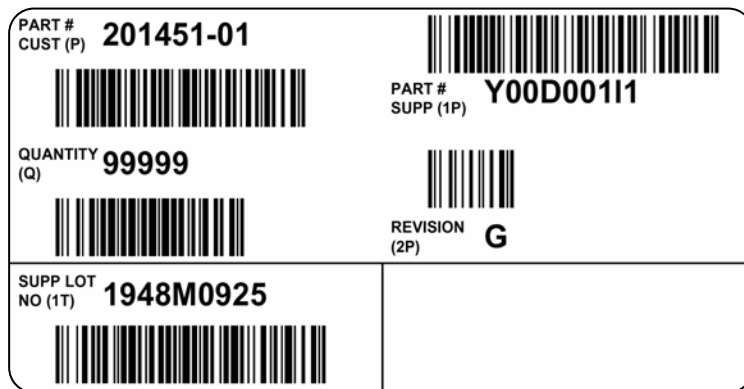
- Part description
- Supplier Code

The maximum length of the Supplier Lot Identification Number **SHALL NOT** exceed (10) alphanumeric characters plus the data identifier.

Depending upon the symbology used Sub-Pack bar code and human readable characters **SHALL** be a minimum height of:

**Code 128 .125" (3 mm)**

**Figure 10 - Internal Container Label**



Prepared by: Supplier Label Team	Approved/Authorized by: ERD89609	Issued by: TRW Purchasing
-------------------------------------	-------------------------------------	------------------------------

**Supplier Information**

**Title Block** = FROM:

**Data** = Name and address of supplier

**Text Height** = 12 Point

**Max Characters** = 3 Lines, 28 Characters

**Part Number**

**Title Block** = PART NUMBER (P)

**Data** = Part Number as designated by TRW

**Data Identifier (DI)** = P

**Text Height** = 36 Point

**Maximum Length** = 18 Data + 1 DI

**Part Description**

**Title Block** = DESCRIPTION

**Data** = the official description of this part as defined on the TRW Purchase Order

**Text Height** = 20 Point

**Max Characters** = 1 Line, 20 Characters

**Quantity of Pieces**

**Title Block** = QUANTITY (Q)

**Data** = Number of pieces in container

**Data Identifier (DI)** = Q

**Maximum Length** = 6 Data + 1 DI

**Supplier ID Number**

**Title Block** = SUPPLIER NUMBER (V)

**Data** = Supplier Code assigned to your location by TRW

**Data Identifier (DI)** = V

**Maximum Length** = 7 Data + 1 DI

**Carton Serial Number**

**Title Block** = SERIAL NUMBER (S)

**Data** = Supplier assigned control number unique for this carton, not to be repeated within 365 days

**Data Identifier (DI)** = S

**Maximum Length** = 10 Data + 1 DI

**Supplier Certification Indicator**

**Title Block** = CERTIFICATION STATUS

**Data** = the letter C for Certified Suppliers.

**Text Height** = 36 Point

**Maximum Characters** = 1 Character

**Ship to Information**

**Title Block** = TO:

**Data** = Shipping address of destination as defined on the TRW Purchase Order

**Text Height** = 12 Point

**Max Characters** = 3 Lines, 28 Characters

**Date:** Title Block = DATE (2D) (MM-DD-YY)

**Data** = A Date indicating either the date of manufacture, packing date, or shipping date in the format MM-DD-YY

**Data Identifier (DI)** = 2D

**Text Height** = 20 Point

**Max Characters** = 8 Characters

**Purchase Order Number**

**Title Block** = PO NUMBER (K)

**Data** = P.O. number as defined by TRW

**Data Identifier (DI)** = K

**Maximum Length** = 10 Data + 1 DI

**Revision Level**

**Title Block** = REVISION (2P)

**Data** = TRW Revision level the material is manufactured to.

**Data Identifier (DI)** = 2P

**Maximum Length** = 3 Data + 2 DI

**Supplier Lot Number**

**Title Block** = LOT NUMBER (1T)

**Data** = Supplier assigned Lot number, unique for the material in this container, traceable back to supplier's MFG lot

**Data Identifier (DI)** = 1T

**Maximum Length** = 10 Data + 2 DI

**Exhibit A**  
**Single Carton Label**

- All Bar Codes shall be Code 128 Symbology
- All Bar Codes shall be .35" in height
- All Bar Codes shall use a narrow element size as defined in AIAG B-10 rev 2.
- Unless specified otherwise, human readable interpretation of all Bar Codes shall be 20 point font size

**NOTE: Illustration is NOT actual size**

FROM: TRW SUPPLIER 500 MAIN STREET ANYTOWN US 12345		TO: TRW AUTOMOTIVE 12025 TECH CENTER DR LIVONIA MI 48150	
PART NUMBER (P) <b>480827</b>			
DESCRIPTION <b>TURN SIGNAL SWITCH</b>		DATE (2D) (MM-DD-YY) <b>06-01-04</b>	
QUANTITY (Q) <b>50</b>	PO NUMBER (K) <b>5500123456</b>		
SUPPLIER NUMBER (V) <b>132465</b>	CERTIFICATION STATUS	REVISION (2P) <b>G</b>	
SERIAL NUMBER (S) <b>1234509876</b>	LOT NUMBER (1T) <b>9876501234</b>		

**Label Purpose/Use:** SINGLE CONTAINER LABEL FOR SHIPMENT TO TRW  
Single Container Label for shipment to TRW holding one or more parts of a single part number. Questions contact Purchasing.

Any dimensions that are not otherwise specified on this page SHALL be in compliance with AIAG B-10, Version 2.00, 2/00

# Exhibit B

## Master Load Label

- All Bar Codes shall be Code 128 Symbology
- All Bar Codes shall be .35" in height
- All Bar Codes shall use a narrow element size as defined in AIAG B-10 rev 2.
- Human Readable interpretation of all Bar Codes shall be 20 point font size

<b>MASTER LABEL</b>	
<b>FROM:</b> TRW SUPPLIER 500 MAIN STREET ANYTOWN US 12345	<b>TO:</b> TRW AUTOMOTIVE 12025 TECH CENTER DR LIVONIA MI 48150
<b>PART NUMBER (P)</b> 480827	<b>REVISION (2P)</b> G
<b>QUANTITY (Q)</b> 200	<b>PO NUMBER (K)</b> 5500123456
<b>SUPPLIER NUMBER (V)</b> 132465	<b>PACKING SLIP (11K)</b> 80253612
<b>PKG ID-MASTER (4S)</b> 1234509876	<b>LOT NUMBER (1T)</b> 9876501234

### Supplier Information

Title Block = FROM:

Data = Name and Address of supplier

Text Height = 12 Point

Max Characters = 3 lines, 28 Characters

### Part Number

Title Block = PART NUMBER (P)

Data = Part Number as designated by TRW

Data Identifier (DI) = P

Maximum Length = 18 Data + 1 DI

### Quantity of Pieces

Title Block = QUANTITY (Q)

Data = Number of pieces in container

Data Identifier (DI) = Q

Maximum Length = 6 Data + 1 DI

### Supplier ID Number

Title Block = SUPPLIER NUMBER (V)

Data = Supplier Code assigned to your location by TRW

Data Identifier (DI) = V

Maximum Length = 7 Data + 1 DI

### Master Pack Serial Number

Title Block = PKD ID-MASTER (4S)

Data = Supplier assigned control number unique for this Master Pack, not to be repeated within 365 days

Data Identifier (DI) = 4S

Maximum Length = 10 Data + 2 DI

### Supplier Lot Number

Title Block = Lot Number (1T)

Data = Supplier assigned Lot number, unique for the material in this container, traceable back to supplier's MFG lot

Data Identifier (DI) = 1T

Maximum Length = 10 Data + 2 DI

### Master Label Indicator

Title Block = none

Data = the words "MASTER LABEL"

Text Height = 36 Point

### Ship-to Information

Title Block = TO:

Data = Shipping address of destination as defined on the TRW Purchase Order

Text Height = 12 Point

Max Characters = 3 Lines, 28 Characters

### Revision

Title Block = REVISION (2P)

Data = TRW Revision level the material is manufactured to.

Data Identifier (DI) = 2P

Maximum Length = 3 Data + 2 DI

### Purchase Order Number

Title Block = PO NUMBER (K)

Data = P.O. number as defined by TRW

Data Identifier (DI) = K

Maximum Length = 10 Data + 1 DI

### Packing Slip Number

Title Block = PACKING SLIP (11K)

Data = Supplier assigned packing slip number, unique for this shipment.

Data Identifier (DI) = 11K

Maximum Length = 10 Data + 3 DI

**Label Purpose/Use: MASTER LABEL FOR SHIPMENT TO TRW**  
 Pallet or Master Load containing more than one single pack of the same part number. The master label is used to summarize the total contents of a single load or palletized shipping unit.

**Any dimensions that are not otherwise specified on this page SHALL be in compliance with AIAG B-10, Version 2.00, 2/00**

# Exhibit C

## Mixed Load Label

NOTE: Illustration is NOT actual size

### Supplier Information

Title Block = SHIP FROM:

DATA = Name and Address of Supplier

Text Height = 12 Point

Max Characters = 3 Lines, 28 Characters

### Ship-to Information

Title Block = SHIP TO:

Data = Shipping Address of the destination plant as defined on the TRW Purchase Order

Text Height = 12 Point

Max Characters = 3 Lines, 28 Characters

<b>SHIP FROM:</b> TRW SUPPLIER ANYTOWN US 12345 500 MAIN STREET	<b>SHIP TO:</b> TRW AUTOMOTICE 12025 TECH CENTER DR LIVONIA MI 48150
<b>MIXED LOAD</b>	

### Mixed Load label indicator

Title Block = None

Data = the words "MIXED LOAD"

Text Height = 108 Point

**Label Purpose/Use: MIXED LOAD LABEL FOR SHIPMENT TO TRW**  
Pallet or Master Load containing more than one single pack of different part numbers.  
The MIXED LOAD label is used to indicate multiple part numbers on a single pallet or load

Any dimensions that are not otherwise specified on this page SHALL be  
In compliance with AIAG B-10, Version 2.00, 2/00



# Exhibit D

## Internal Container Label (Sub pack Label)

- All Bar Codes shall be Code 128 Symbology
- All Bar Codes shall be .30" in height
- All Bar codes shall use a narrow element size of .010"-.017"
- Unless otherwise specified, human readable interpretation of all Bar Codes shall be 12 point font size

**NOTE: Illustration is NOT actual size**

### Part Number

Title Block = PART #  
CUST (P)

Data = Part number as designated by TRW

Data Identifier (DI) = P

Maximum Length = 18 Data + 1 DI

### Supplier Part Number

Title Block = PART #  
SUPP (1P)

Data = Supplier's Internal Part Number

Data Identifier (DI) = 1P

Maximum length = Defined by supplier

10

### Quantity of Pieces

Title Block = QUANTITY (Q)

Data = Number of pieces in container

Data Identifier (DI) = Q

Maximum Length = 5 Data + 1 DI

Note: Unit of measure is assumed as EACH. Any other unit of measure must appear in human-readable text only, next to the interpretation of the bar code.

### Revision

Title Block = REVISION (2P)

Data = TRW Revision level the material is manufactured to.

Data Identifier (DI) = 2P

Maximum Length = 3 Data + 2 DI

### Supplier Lot Number

Title Block = LOT NUMBER (1T)

Data = Supplier assigned Lot number, unique for the material in this container, traceable back to supplier's MFG lot

Data Identifier (DI) = 1T

Maximum Length = 10 Data + 2 DI

<b>PART # CUST (P)</b> 201451-01	
<b>QUANTITY (Q)</b> 99999	<b>PART # SUPP (1P)</b> Y00D00111
<b>SUPP LOT NO (1T)</b> 1948M0925	<b>REVISION (2P)</b> G

Data Dividing Lines are  
Optional.

Intentionally left blank.  
Available for supplier use.

**Label Purpose/Use:** Internal Container (Sub pack) FOR SHIPMENT TO TRW  
Identification label used to indicate the suppliers manufacturing lot number for trace  
ability and trace ability within the manufacturing process

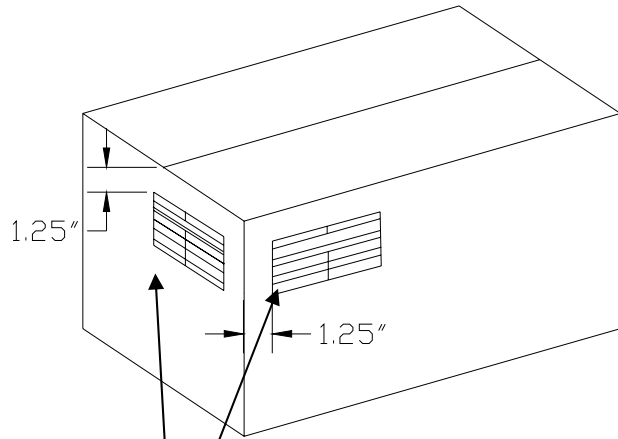
Any dimensions that are not otherwise specified on this page SHALL be in  
compliance with AIAG B-10, Version 2.00, 2/00

# Exhibit E

## Primary Metals

FROM: Company Name Address 1 Address 2 City, State Zip		TO: Company Name Address City, State Zip	
PART # CUST (P) 0000000529026169			
PO # (K) 00000000000092734			
SPLR ID CUST ASGN (V) 0000004305156059			
Serial (S) 000000000000114			
HEAT # SPLR (1T) 226799229431			
ACTUAL WEIGHT (2Q) 01954	SIZE One Pallet, 4'x6'x6'		
THEORETICAL WEIGHT (1Q) 02000	Product Description		
QUANTITY (Q) 01000	Special Handling Instructions		

## Exhibit F Label Placement



### Single Carton Label

# of Labels:

- 2 labels pe container

Location:

- Placed on adjacent corners
- Min 1.25" (32 cm) from top
- Min 1.25" (32cm) from edge

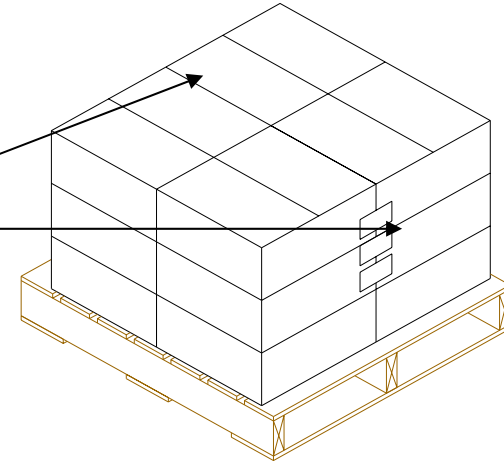
### Master Load Label

# of Labels:

- 2 per load

Location:

- Opposite sides of load
- Upper half of load
- Center of load
- Stacked vertically



### Mixed Load Label

# of Labels:

- 2 labels per load

Location:

- Opposite sides of load
- Upper half of load

